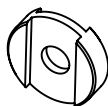
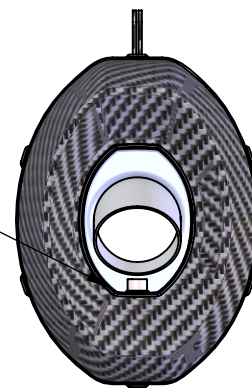


Don't use
Aluminium spacer
Cod.205886



Db-killer N°52
Cod.308421801



Carbon clamp FR1
Cod.308476501

Aluminium spacer
Cod.205771

Aluminium spacer
-for allen screw M6-
Cod.205767

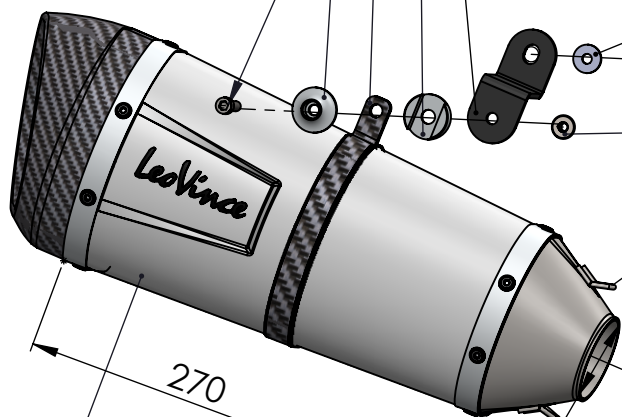
S.s. black bracket
prod. Cod.3014308501
purch. cod.206551

Plain washer 8x17
Cod.200294

Allen screw
M6X25 T.C.E.I.Z.B
Cod.200586

Allen screw
M8X20 T.C.E.I.Z.B
Cod.200722

Knurled collar nut M6
Cod.200333



270

$\Phi i.60$

$\Phi e.60$

FACTORY S silencer
stainless steel
Cod.308472481U

2x Short helical spring
tensile
Cod.303949001

Pipe N°1261 s.s.
Cod.3014308201

$\Phi i.60,20$

Strap in stainless
steel $\Phi 63$
Cod.300063530

WARNING

it is advisable to optimize the carburation by remapping
the stock ECU or by adopting an additional ECU unit.

ART. 14308SU

APRILIA RSV4 1000 RR-RSV4 1100/FACTORY-TUONO V4 1100 RR/ FACTORY

SLIP ON - FACTORY S - STAINLESS STEEL