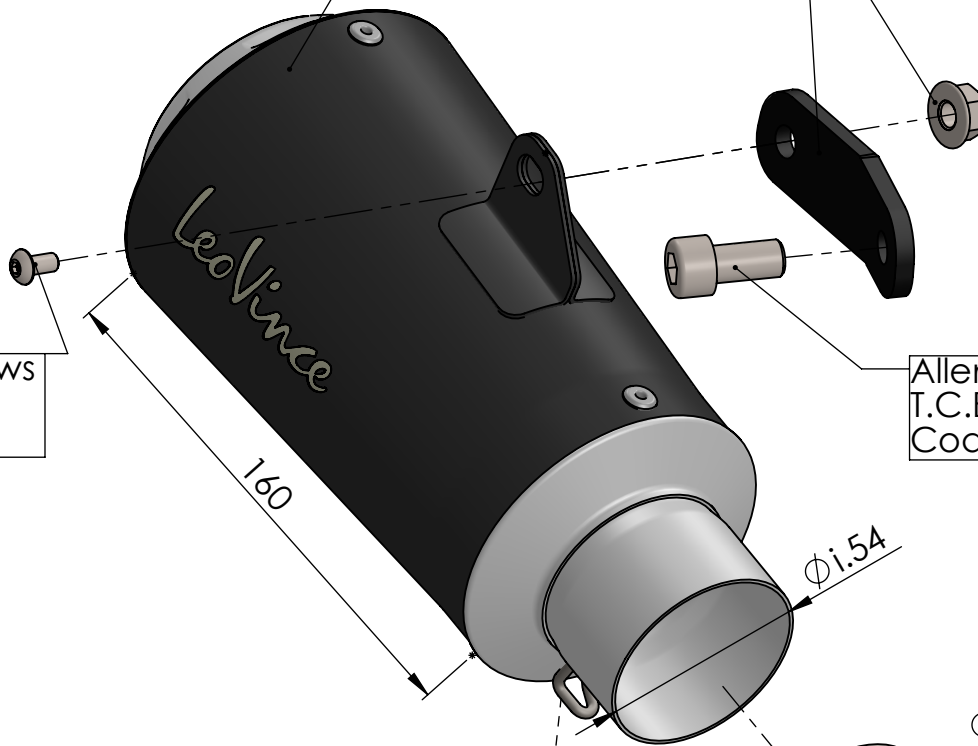


LV-10 Silencer
stainless steel black
Cod.309746485U

N°1 Aluminium Bracket
Cod.0815202001

N°1 Knurled collar nut M8
Cod.200298

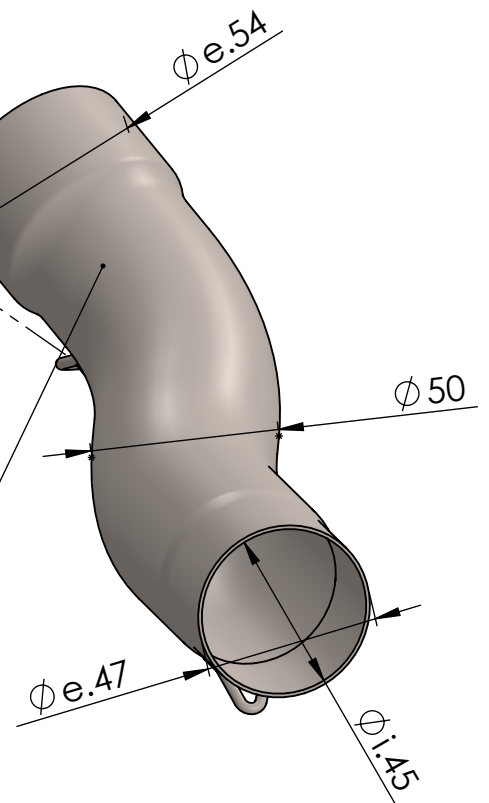


N°1 Allen screws
T.B.E.I. M8x20
Cod.200474

Allen screws
T.C.E.I. M6x25
Cod.200586

N°1 Short elical
spring tensile
Cod.303949001

Pipe N°1163 s.s.
Cod.3015202201



ART. 15202BU

DUCATI SCRAMBLER 800 DESERT SLED

SLIP-ON - LV-10 - BLACK