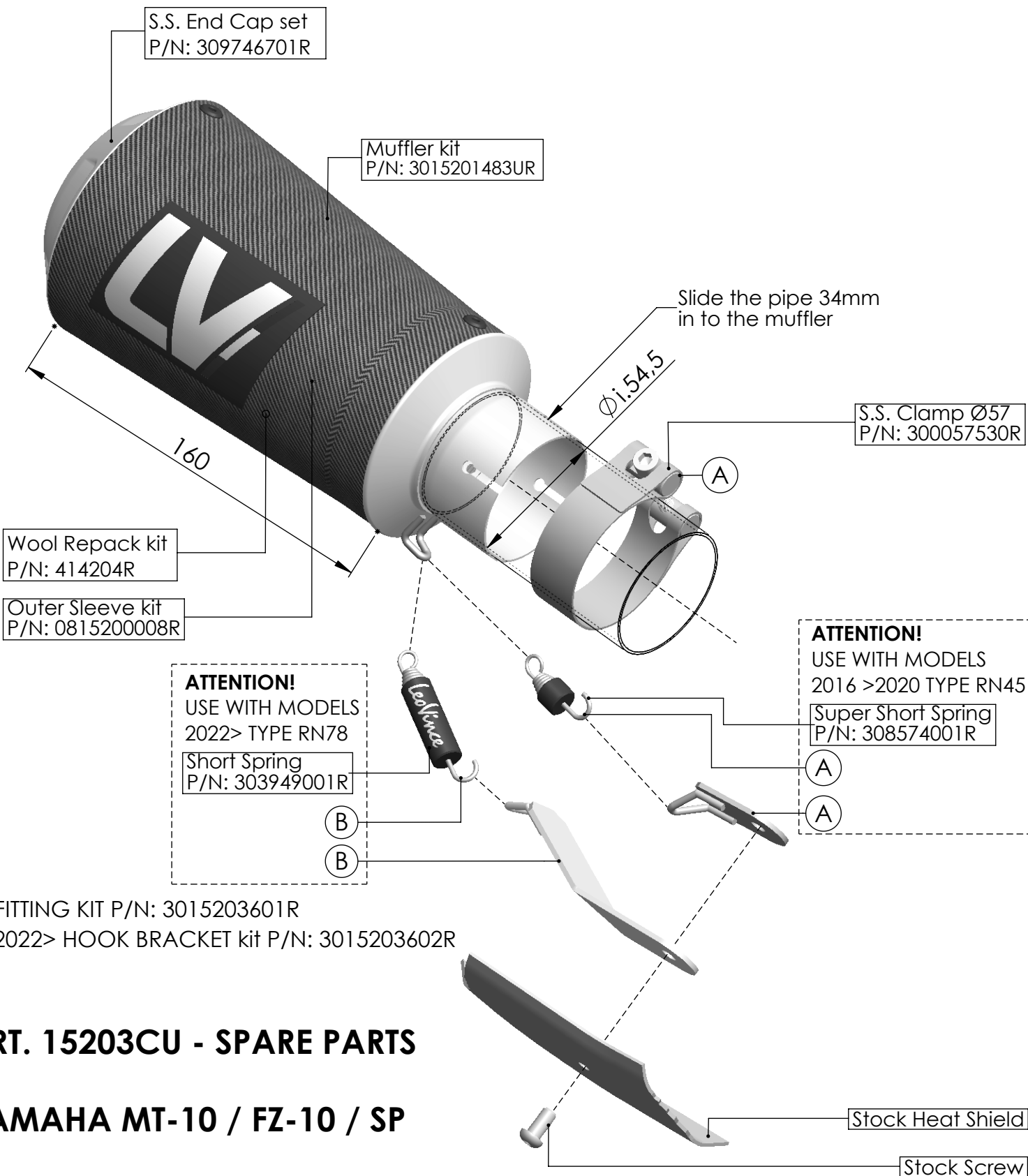
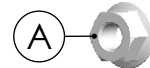
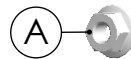


Use Flange Nuts included, with stock screws, to cover the stock bracket empty holes, after the installation of the LeoVince slip-on.



- Ⓐ FITTING KIT P/N: 3015203601R
- Ⓑ 2022> HOOK BRACKET kit P/N: 3015203602R

## ART. 15203CU - SPARE PARTS

**YAMAHA MT-10 / FZ-10 / SP**

**SLIP-ON - LV10 - CARBON**