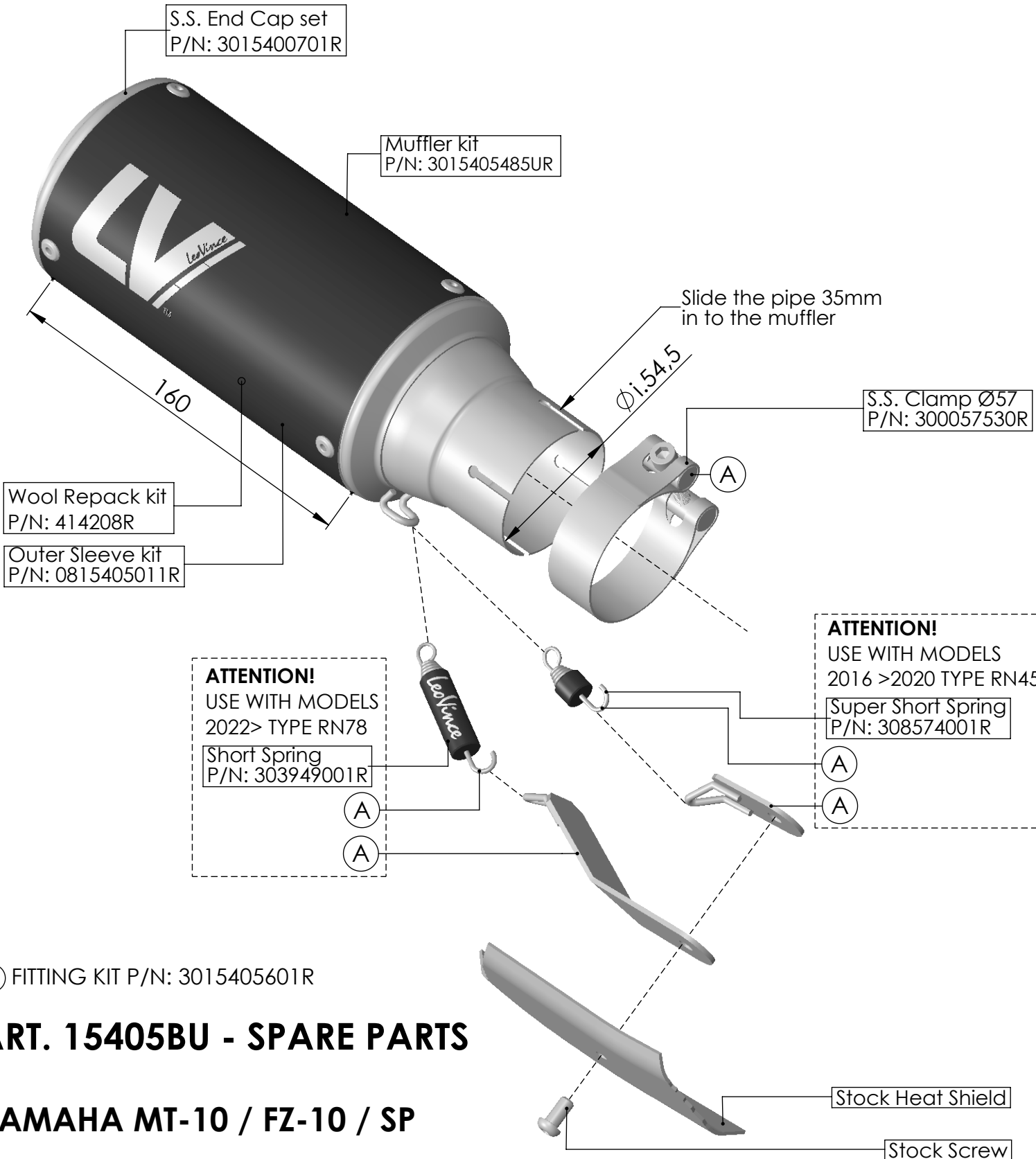


Use Flange Nuts included, with stock screws, to cover the stock bracket empty holes, after the installation of the LeoVince slip-on.



ART. 15405BU - SPARE PARTS

YAMAHA MT-10 / FZ-10 / SP

SLIP-ON - LV CORSA - BLACK EDITION