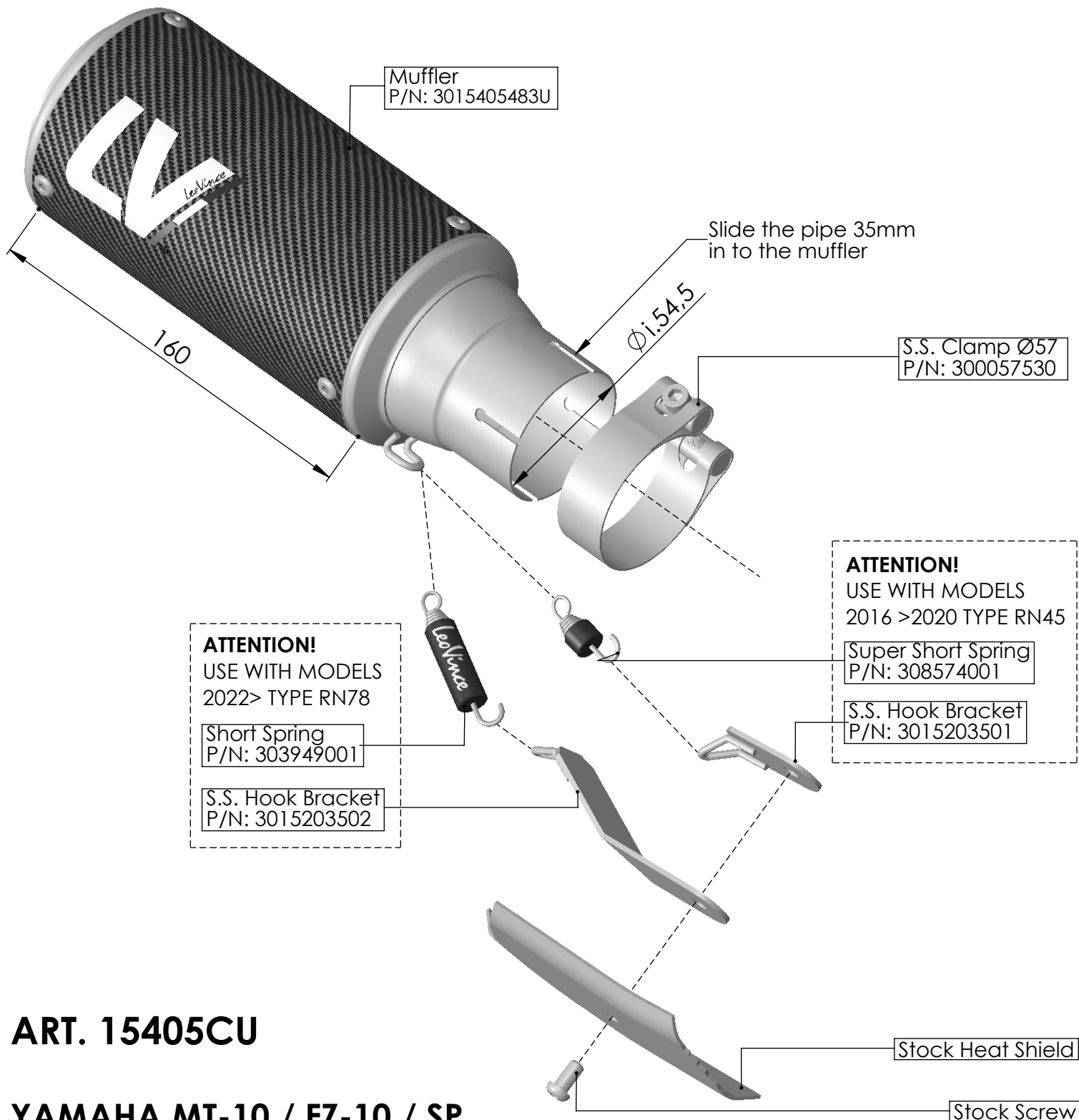


Flange Nut M6
P/N: 200333

Flange Nut M8
P/N: 200298

Use Flange Nuts included, with stock screws, to cover the stock bracket empty holes, after the installation of the LeoVince slip-on.



ART. 15405CU

YAMAHA MT-10 / FZ-10 / SP

SLIP-ON - LV CORSA - CARBON