

MOTOPLASTIC, S.A.

Molí de la sal, 1 - 08403 Granollers (Barcelona) SPAIN

Tel. 34 93 849 06 33 - Fax 34 93 849 09 88

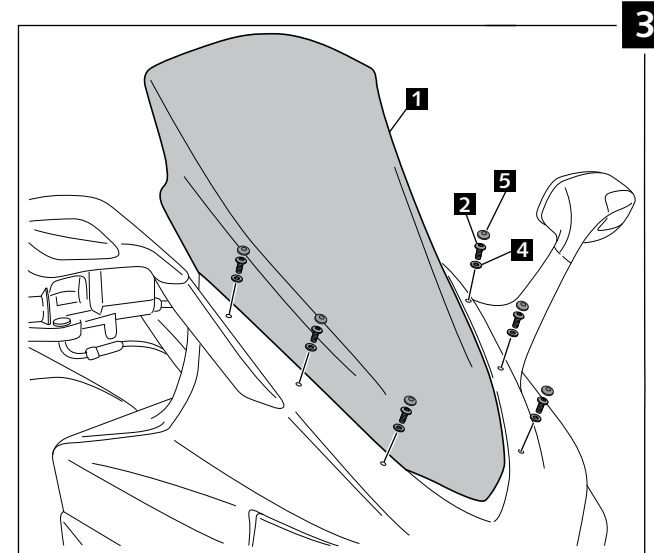
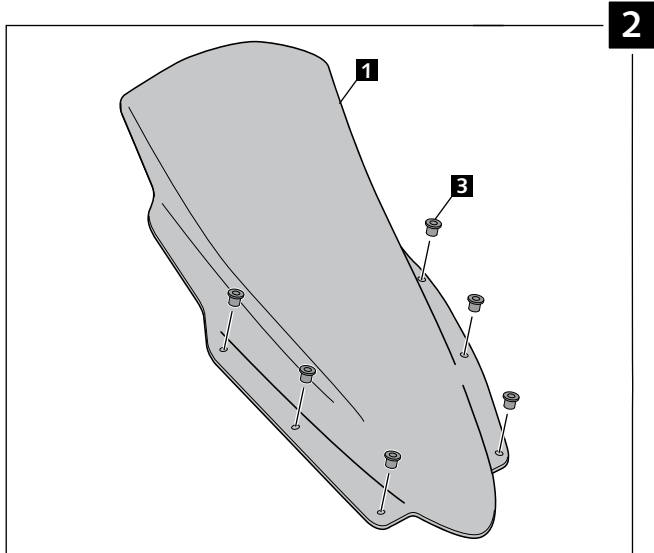
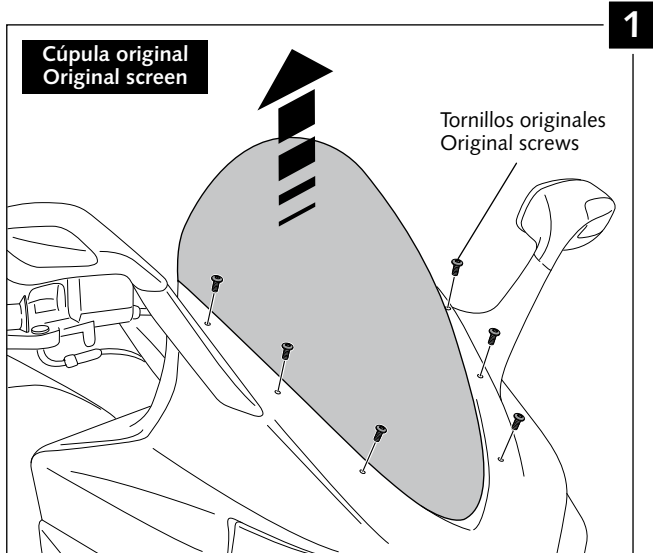
info@puig.tv - info@puigusa.com

www.puig.tv - www.puigusa.com

## INSTRUCCIONES DE MONTAJE - MOUNTING INSTRUCTIONS

### CÚPULA ADAPTABLE A - SCREEN ADAPTABLE TO APRILIA SRV850

Ref.: 6030



ID.		DESCRIPCIÓN	DESCRIPTION	QTY.
1		Cúpula	Screen	1
2		Tornillo Allen M5x16 ISO 7380	M5x16 ISO 7380 Allen screw	6
3		Silentblock M5	M5 Silentblock	6
4		Arandela nylon M5x1	M5x1 nylon washer	6
5		Tapón tornillo M5 ISO 7380	M5 ISO 7380 Screw cap	6