

SHAD LOCKS

ENGINEERED FOR RIDING



DISC LOCKS USER GUIDE

SC61A

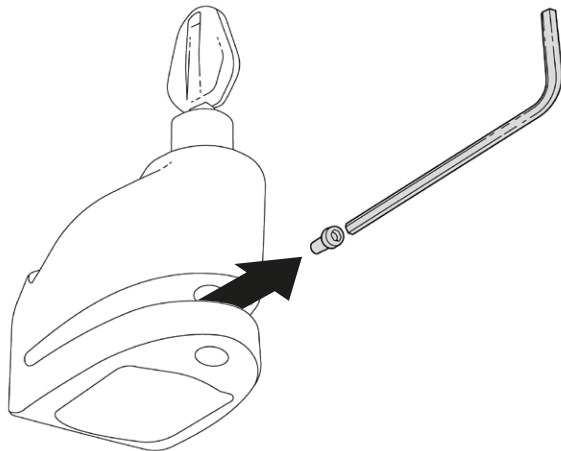
Ref. C0S6100A (Black)

Ref. C0S6103A (Yellow)

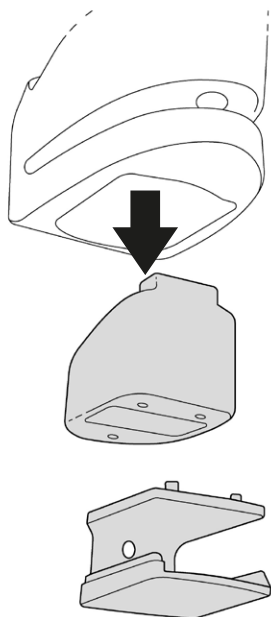
WWW.SHAD.ES

INSTALL BATTERY

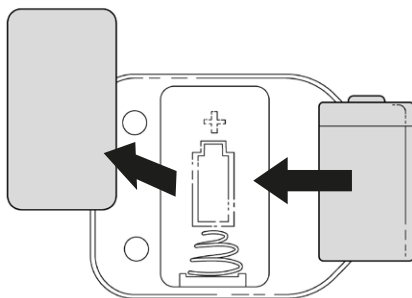
1



2

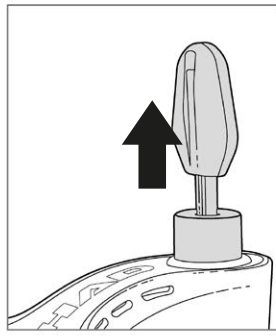
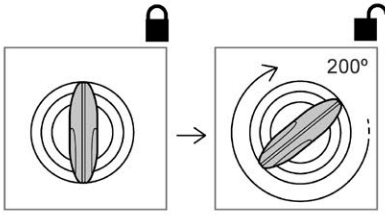


3

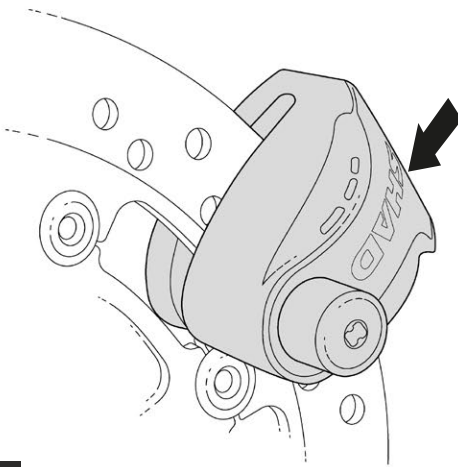


ASSEMBLY

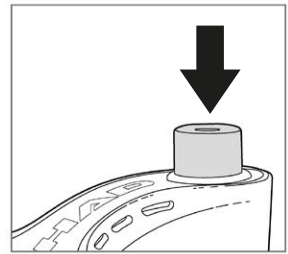
1



2

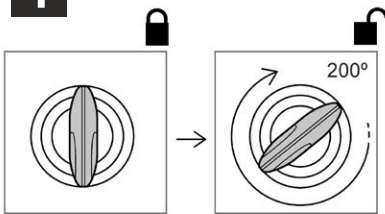


3

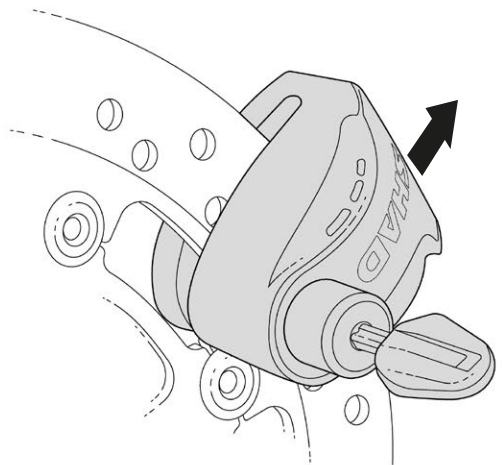


RELEASE

1

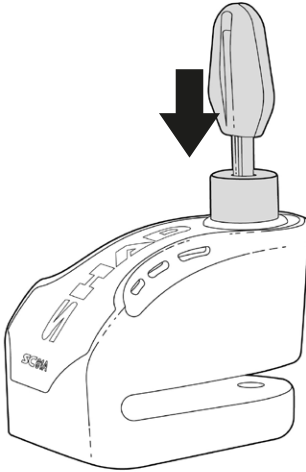


2



ACTIVATE ALARM

1



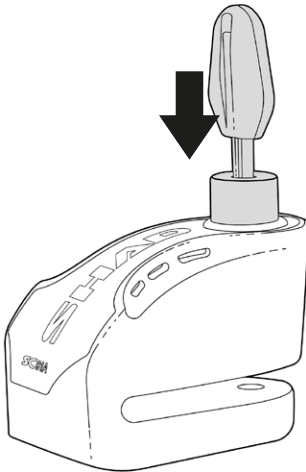
1 BEEP = ALARM ON

After 6 seconds

1 BEEP = ALARM ACTIVATED

DEACTIVATE ALARM

1



2 BEEPS = ALARM OFF



WE ARE
DOING
GREEN

RESOURCE REDUCTION
60% SELF SUSTAINING FACTORIES
1500 TREES PLANTED 🌲🌲🌲



ISO 14001:2015



WWW.SHAD.ES